

EWB PROJECT

As a leading supplier of wiper blades to European market, we found some popular items have major market share.

Most of the customers will buy these popular items only by seeing them, no need to check and compare too much.

Just like people likes Golf and Polo so much!

So we start a project, select the most popular model of wiper blades, and shorten the delivery time, improve the quality, reduce the cost, and make these models more powerful, to help our customers selling them easier and easier.

Any item in EER PROJECT sells more than 500,000 pcs in European markets every year.

So you can just buy, and sell!



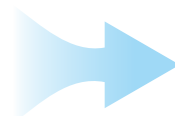
FEATURE DESCRIPTION










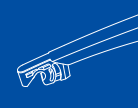

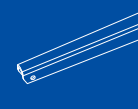

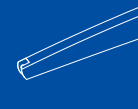

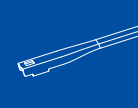
- 01 15+ Multifunctional Adapters
- 02 OE Looking
- 03 Stainless Steel Rubber Strips
- 04 Natural Rubber with Teflon Coating


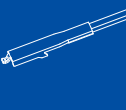



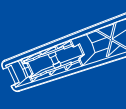







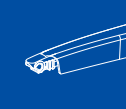


15+ MULTIFUNCTIONAL ADAPTERS

99% Universal for all car rear windows
New function are adding along with the new cars
Easy installation

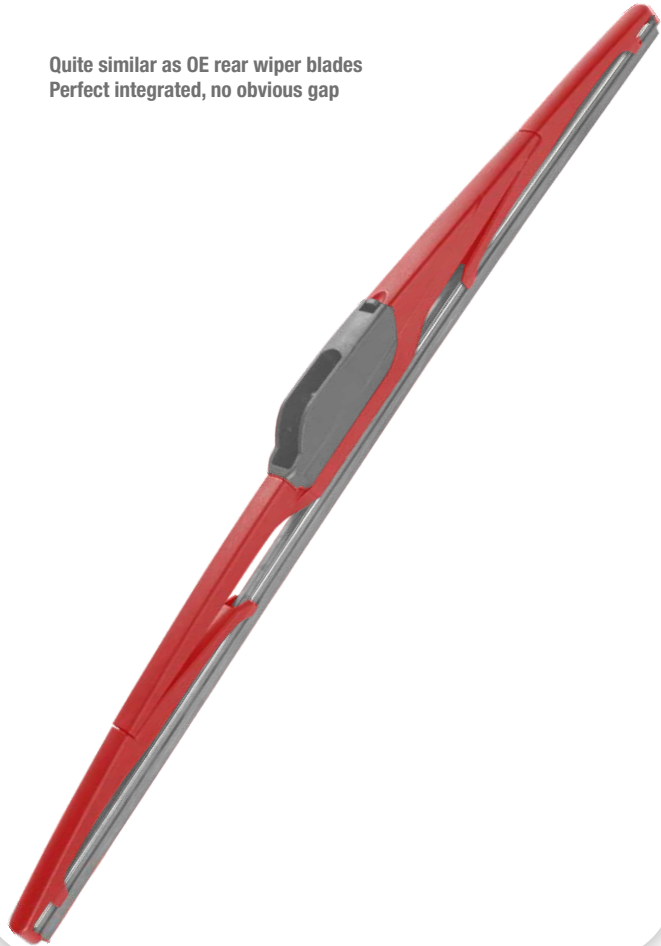


Adapters	Arm Types
RH-01 	
RH-02 	
RH-03 	
RH-04 	
RH-05 	
RH-06 	
RH-07 	
RH-08 	

Adapters	Arm Types
RH-09 	
RH-10 	
RH-11 	
RH-12 	
RH-13 	
RH-14 	
RH-15 	

OE LOOKING

Quite similar as OE rear wiper blades
Perfect integrated, no obvious gap



STAINLESS STEEL RUBBER STRIPS

Double support to keep the curve



NATURAL RUBBER WITH TEFLON COATING

Silent wiping performance
Long durability, 500,000 cycles
Working well in high temperature and low temperature
Easy to refill, extend the life of rear wiper blades



AVAILABLE SIZES

Comprehensive size for your choice



Sizes	9"	10"	11"	12"	13"	14"	15"	16"	17"	18"	19"	20"	21"	22"	23"	24"	25"	26"	27"	28"	29"	30"	31"	
Available	✓	✓	✓	✓	✓	✓	✓	✓																

PRODUCT QUALITY INSPECTION REPORT



Ningbo Haishu Wow Automotive Parts Co., Ltd.

Test report

Item No.: NR-1891
Test Date: 2020.7.12

Room temperature: 25°C
Humidity: 55%

Rubber: 650B/SP
Test Standard: QC/T44-2009

Test Project	Test Equipment	Test Condition	Test Standard	Result
Swish Test (First Swish)	Rain Test Machine	25°C	Totally Clean	Pass
Swish Test (Durability)	Rain Test Machine	25°C	20000 Times, Appear 5 Filament 0.5mm Width, 3 Filament 1mm Width	Pass (Standard: 7 Filament 0.5mm width, 4 Filament 1mm width)
Low Temperature Test	High And Low Temperature Machine	-20±3°C 4h, and then swish 10Min under max frequency	The Wiper Work Normally, The Rubber isn't Out Of Shape, The Other's Was Not Be Broken.	Pass
High Temperature Test	High And Low Temperature Machine	55±3°C, and then swish 10Min under max frequency	The Wiper Work Normally, The Rubber isn't Out Of Shape, The Other's Was Not Be Broken.	Pass
Salt Fog Test	Special Test Stand, Salt Fog Test Machine	NaCl 50.44%, test temperature: 35°C, Volume of spray: 1-2ml/h, Air pressure: 1kg/cm ² , time: 48h	Metal Non Rust, Wiper Work Normally	Pass
Vibratility Test	Vibratility Test Stand, Fixture	Frequency: 10-60Hz, Amplitude: 1.2mm, Speed: 30mm/s ² , Scanning frequency: 10c/min, Vibration in different angle: 8H	No Obvious Sound In The Test Period, After Test, The Function Should Be Work, The Other's Was Not Be Broken.	Pass
Ozone Aging Test	Ozone Aging Test Machine	Ozone Concentration: (50±5)10 ⁴ Test temperature: 40±2°C, time: 72h	Rubber None Crack	Pass
Adapter Strength, Toughness Test	Push-pull Instrument	Normal temperature, Force: 1200g	No Rupture, But It Was Out Of Shape In The Process Of Pulling Or Pushing	Pass
Skeleton Swing Angle	Angular Instrument	Normal temperature, Driving force: 1000g	Push the unilateral foot, and swing it left and right in ±1°	Pass

Remarks



Inspectors:

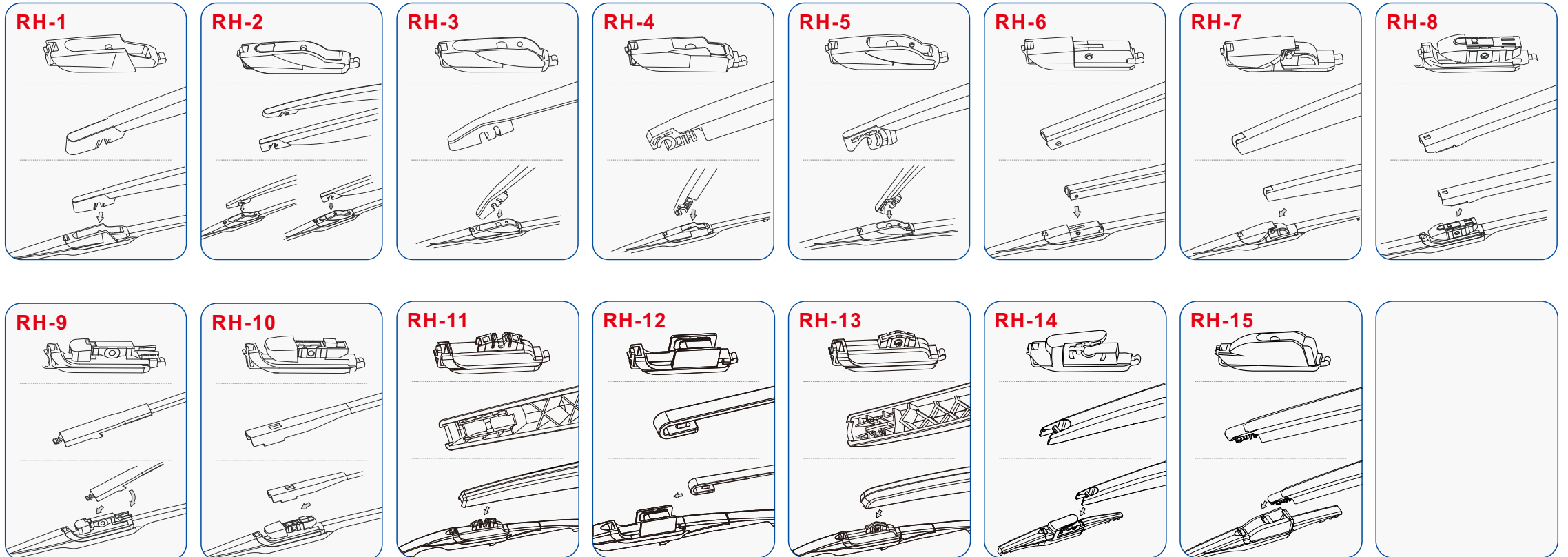
Audit:

Date: 2020.7.12



FACTORY AND PRODUCTION WORKSHOP

INSTALLATION DIAGRAM



DELIVERY TIME

500~5,000pcs

15 days

5,001~20,000pcs

25 days

20,001pcs

35 days



1PC x50



P-PPB-03



PACKING SPECIFICATION

Ref.No.	Inch	mm	Weight(g)	Box Size(mm)	Weight(kg)	Volume(m ³)
EMR9	9"	225	0.175	485x320x330	9.1	0.051216
EMR10	10"	250	0.183	485x320x330	9.5	0.051216
EMR11	11"	275	0.187	485x320x330	9.7	0.051216
EMR12	12"	300	0.193	485x320x330	10	0.051216
EMR13	13"	325	0.199	485x320x330	10.3	0.051216
EMR14	14"	350	0.203	485x320x330	10.5	0.051216
EMR15	15"	375	0.207	485x320x330	10.7	0.051216
EMR16	16"	400	0.213	485x320x330	11	0.051216

APPLICATION LIST

NR-1891 Rear Wiper Blades











Car Model / Date					
ACURA	MDX	-	RH-3	12'(300mm)	
AUDI	A1	2010 →	RH-13	14'(350mm)	
	A1 Sportback (8XA)	09.11 →	RH-10	11'(275mm)	
	A3	2014 →	RH-13	14'(350mm)	
	A3 Sportback	2014 →	RH-13	13'(325mm)	
	S4 Avant	2010 →	RH-13	16'(400mm)	
ALFA ROMEO	Mito (955)	08.08 →	RH-1	12'(300mm)	
	Giulietta (940)	05.10 →	RH-1	14'(350mm)	
BMW	Serie 1 (E 81; E 87)	09.04 →	RH-8	11'(275mm)	
	Serie 1 (F20)	09.11 →	RH-3	12'(300mm)	
	Serie 1 (F21)	09.12 →	RH-3	12'(300mm)	
	X1 (E 84)	10.09 →	RH-8	13'(325mm)	
	3 Serie (F31)	13 →	RH-11	12'(300mm)	
	5 Serie (F11)	13 →	RH-11	14'(350mm)	
	X3 (F25)	11 →	RH-11	13'(325mm)	
BUICK	X3 (F25)	10.10 →	RH-7	13'(325mm)	
	X3 (E 83)	01.04-08.10	RH-2	14'(350mm)	
BUICK	Enclave	-	RH-1	12'(300mm)	
CADILLAC	Escalade	-	RH-1	12'(300mm)	
CHEVROLET	BLS Wagon	02.08 →	RH-2	12'(300mm)	
	Tahoe	01.06 →	RH-1	12'(300mm)	
CITROEN	C4 Aircross	03.12 →	RH-3	10'(250mm)	
	C2 (A6)	09.03 →	RH-1	11'(275mm)	
	C3 Picasso (A58)	02.09 →	RH-1	11'(275mm)	
	C4 (B7)	09.10 →	RH-1	11'(275mm)	
	C5 Tourer	08 →	RH-11	10'(250mm)	
	C5 Break (X4,X3)	06.01-03.08	RH-1	11'(275mm)	
	DS3 (A55)	11.09 →	RH-1	11'(275mm)	
	C4 (B5)	11.04-08.10	RH-2	12'(300mm)	
	C3 (A51)	09.09 →	RH-1	12'(300mm)	
	C1 (B0)	06.05 →	RH-1	12'(300mm)	
	C-Crosser (I4)	09.07 →	RH-3	12'(300mm)	
	C-Zero	10.10 →	RH-3	12'(300mm)	
	C4 Grand Picasso (B58)	10.06 →	RH-2	14'(350mm)	
	C4 Picasso (B58)		RH-2	14'(350mm)	
	C3 (A8; A31)	01.02-08.09	RH-1	14'(350mm)	





Car Model / Date					
CITROEN	C8 (V3)	06.02 →	RH-1	14'(350mm)	
	Berlingo (B9)	05.08 →	RH-1	14'(350mm)	
	Jumpy (G9)	02.07 →	RH-1	14'(350mm)	
	Saxo (S8)	10.99-09.03	RH-1	14'(350mm)	
	Xantia Break (X2)	12.99-12.01	RH-1	14'(350mm)	
	DACIA	Lodgy	03.12 →	RH-1	11'(275mm)
Duster		10.09-02.12	RH-1	12'(300mm)	
Duster		06.12 →	RH-1	14'(350mm)	
Logan (LS)		07.04 →	RH-1	14'(350mm)	
DAIHATSU	Logan MCV (KS/FS)	01.07 →	RH-1	14'(350mm)	
	Charade (NSP90)	03.11 →	RH-2	12'(300mm)	
	Cuore (L3)	03.03 →	RH-4	12'(300mm)	
	Materia	09.06 →	RH-4	12'(300mm)	
DODGE	YRV (M2)	08.00-07.05	RH-4	12'(300mm)	
	Journey (JC)	05.08 →	RH-4	12'(300mm)	
FIAT	Nitro	3.07 →	RH-1	12'(300mm)	
	Sedici (189..)	05.06 →	RH-3	10'(250mm)	
	Bravo (198)	03.07 →	RH-1	11'(275mm)	
	Panda (312..)	02.12 →	RH-1	11'(275mm)	
	500 (150..)	07.07 →	RH-1	11'(275mm)	
	Freemont (JC)	06.11 →	RH-4	12'(300mm)	
	Punto (199..)	01.12 →	RH-1	12'(300mm)	
	Punto Evo (199..)	10.09 →	RH-1	12'(300mm)	
	Punto Grande (199..)	10.05 →	RH-1	12'(300mm)	
	Punto	1999	RH-6	14'(350mm)	
	Scudo (272..)	01.07 →	RH-1	14'(350mm)	
	Stilo Multi Wagon (192..)	10.02-12.07	RH-1	14'(350mm)	
	Ulysse (179..)	10.02-12.10	RH-1	14'(350mm)	
	Doblo (152..)	10.09 →	RH-8	15'(375mm)	
	Doblo Cargo (263..)	10.09 →	RH-8	15'(375mm)	
FORD	Weekend		RH-9	15'(375mm)	
	Weekend	2006 →	RH-9	15'(375mm)	
	ECO Sport	2012 →	RH-8	12'(300mm)	
	Edge	2015 →	RH-11	12'(300mm)	
	Kuga	2013 →	RH-8	11'(275mm)	
	Ka II (08)	09.08 →	RH-1	11'(275mm)	
	Fiesta VI (08)	07.08 →	RH-2	12'(300mm)	
	Focus II Turnier (08)	11.08-12.11	RH-2	12'(300mm)	

Car Model / Date					
FORD	Focus III (11)	01.11 →	RH-2	12'(300mm)	
	Focus III Turnier (11)	01.11 →	RH-2	12'(300mm)	
	Mondeo IV Turnier (07)	02.07 →	RH-2	12'(300mm)	
	C-Max (11)	08.10 →	RH-1	12'(300mm)	
	Grand C-Max	10.10 →	RH-1	12'(300mm)	
	Focus II (04)	02.06-01.08 →	RH-2	14'(350mm)	
	Focus II (08)	12.07-12.11	RH-2	14'(350mm)	
	Galaxy II	01.09 →	RH-2	14'(350mm)	
HYUNDAI	Elntra	2014 →	RH-15	13'(325mm)	
	i20 (PB)	12.08 →	RH-4	12'(300mm)	
	i30	2014 →	RH-15	13'(325mm)	
	i30 (FD)	09.07-01.13	RH-5	12'(300mm)	
	i30 CW Kombi (FD)	02.08-09.12	RH-5	12'(300mm)	
	ix35 (TM)	01.10 →	RH-5	12'(300mm)	
	ix20 (JC)	10.10 →	RH-1	12'(300mm)	
	Veloster	2013 →	RH-14	10'(250mm)	
HONDA	Civic Hatchback (EU/EP)	02.01-12.05	RH-2	12'(300mm)	
	Accord Tourer	02.03 →	RH-3	12'(300mm)	
	Odyssey	-	RH-3	12'(300mm)	
	Steam	-	RH-3	12'(300mm)	
	CR-V	2012 →	RH-12	12'(300mm)	
	CR-V (RD)	01.07 →	RH-3	14'(350mm)	
	Fit	-	RH-3	14'(350mm)	
	Jazz (GE/GG)	10.08 →	RH-3	14'(350mm)	
INFINITI	QX 56 (A60)	04.08 →	RH-3	10'(250mm)	
	EX (J50)	04.08 →	RH-3	14'(350mm)	
	FX (S51)	07.08 →	RH-3	14'(350mm)	
	JEEP	Wrangler (JK)	01.07 →	RH-1	14'(350mm)
X-Type Estate (Cf1)		03.03 →	RH-2	14'(350mm)	
JAGUAR	Ceed	05.12 →	RH-14	13'(325mm)	
	PRO Ceed	05.12 →	RH-14	13'(325mm)	
	Sorento (XM)	09.09 →	RH-4	11'(275mm)	
	Soul (AM)	09.08 →	RH-4	11'(275mm)	
	Picanto (BA)	05.04-01.11	RH-2	12'(300mm)	
	Cee'd (ED/FF2)	11.06-12.12	RH-5	12'(300mm)	
	Cee'd Sporty Wagon	09.07-12.12	RH-5	12'(300mm)	
	Pro Cee'd (ED/FF2)	10.07-12.12	RH-5	12'(300mm)	
	Sportage (SL)	07.10 →	RH-5	12'(300mm)	
	Niro	10.160 →	RH-15	12'(300mm)	
KIA	Venga	12.09 →	RH-1	12'(300mm)	
	Voyager	2011 →	RH-12	16'(400mm)	
	Delta (844)	07.08 →	RH-1	11'(275mm)	
	Phedra (180)	09.02-12.10	RH-1	14'(350mm)	
LANCIA	Discovery II	10.98-08.04	RH-1	14'(350mm)	
	LX(J2)	11.07 →	RH-4	12'(300mm)	
LAND ROVER	6 Wagon (Gj)	10.12 →	RH-4	12'(300mm)	
	2 (DY,DE)	02.03 →	RH-3	14'(350mm)	
LEXUS	3 Hatchback (BK)	07.03-12.08	RH-2	14'(350mm)	
	ASX (GA)	04.10 →	RH-3	10'(250mm)	
MAZDA	Mirage(AO)	11.12 →	RH-4	12'(300mm)	
	Space Star(A0)	11.12 →	RH-4	12'(300mm)	
	Colt (CZ)	10.08 →	RH-2	12'(300mm)	
	i-Miev	10.10 →	RH-3	12'(300mm)	
	Outlander (CW)	02.07 →	RH-3	12'(300mm)	

Car Model / Date					
MITSUBISHI	C8 (V3)	06.02 →	RH-1	14'(350mm)	
	Pajero	-	RH-3	12'(300mm)	
	Lancer Sportback (CX)	07.08 →	RH-3	14'(350mm)	
	Colt (CZ)	04.04-09.08	RH-2	14'(350mm)	
	Serie B (245)	04.05 →	RH-1	11'(275mm)	
MERCEDES-BENZ	Serie C (T-Modell) (204)	09.07 →	RH-1	11'(275mm)	
	Serie A (169)	09.04 →	RH-1	12'(300mm)	
	Serie E (T-Modell) (212)	08.09 →	RH-1	12'(300mm)	
	Serie GL (164)	02.06 →	RH-1	12'(300mm)	
	Serie GLK (204)	06.08 →	RH-1	12'(300mm)	
	Serie ML (164)	03.05 →	RH-1	12'(300mm)	
	Serie ML (166)	06.11 →	RH-1	12'(300mm)	
	Serie R (251)	09.05 →	RH-1	12'(300mm)	
	Viano (639 TON)	09.10 →	RH-8	15'(375mm)	
	Vito (639 TON)	09.10 →	RH-8	15'(375mm)	
MINI	Mini Clubman (R 55)	11.07-04.12	RH-8	11'(275mm)	
	Mini (R 50, R 53)	06.01-11.06	RH-1	11'(275mm)	
MG	ZT-Tourer	10.01-05.05	RH-2	14'(350mm)	
	MG 6	2011 →	RH-12	14'(350mm)	
NISSAN	Almera Hatchback (N16E)	10.02-11.06	RH-1	14'(350mm)	
	Quest	-	RH-1	14'(350mm)	
	Tiida 1	01.08 →	RH-1	14'(350mm)	
	Evalia (M20M)	01.11 →	RH-3	14'(350mm)	
	Murano (250)	11.04-12.08	RH-3	14'(350mm)	
	NV200 (M20/M20M)	08.09 →	RH-3	14'(350mm)	
	X-Trail 2	07.07 →	RH-3	14'(350mm)	
	Leaf		RH-3	10'(250mm)	
	Qashqai (J10)	12.06	RH-2	12'(300mm)	
	Qashqai+2 (J10)	08.08	RH-2	12'(300mm)	
	Juke (F15)	07.10	RH-1	12'(300mm)	
	Livina	-	RH-1	12'(300mm)	
	Micra (K12E)	11.02-05.05	RH-1	12'(300mm)	
	NISSAN	-	RH-3	12'(300mm)	
	Micra (K13)	07.10	RH-3	12'(300mm)	
Murano	10.08	RH-3	12'(300mm)		
Note (E11; E11E)	01.05	RH-3	12'(300mm)		
Pathfinder (R51)	01.05	RH-3	12'(300mm)		
Patrol (Y62)	03.10	RH-3	12'(300mm)		
PEUGEOT	Agila (B)	03.08 →	RH-3	10'(250mm)	
	Astra Caravan (G)	09.97-06.04	RH-1	11'(275mm)	
	Astra (H)	03.04-03.10	RH-2	12'(300mm)	
	Astra Caravan (H)	08.04-03.10	RH-2	12'(300mm)	
	Corsa (D)	07.06 →	RH-1	12'(300mm)	
	Insignia Sports Tourer	02.09 →	RH-1	12'(300mm)	
	Zafira (B)	07.05 →	RH-1	14'(350mm)	
	Combo (D)	02.12 →	RH-8	15'(375mm)	
	4008	03.12 →	RH-3	10'(250mm)	
	308 SW (T7)	05.08 →	RH-1	11'(275mm)	
407 SW (D2)	05.04 →	RH-1	11'(275mm)		
5008 (T8)	09.09 →	RH-1	11'(275mm)		
207 SW (A7)	06.07 →	RH-1	12'(300mm)		
308 (T7)	09.07 →	RH-1	12'(300mm)		
508 SW	11.10 →	RH-1	12'(300mm)		

Car Model / Date				
				
PEUGEOT	1007 (A8)	04.05→	RH-1	12'(300mm)
	3008 (T8)	05.09→	RH-1	12'(300mm)
	107 (B0)	06.05→	RH-1	12'(300mm)
	ION	10.10→	RH-3	12'(300mm)
	4007 (I3)	09.07→	RH-3	12'(300mm)
	206 SW (T1)	03.02-12.06	RH-2	14'(350mm)
	406 Break (D8; D9)	10.96-06.04	RH-2	14'(350mm)
	Expert (G9)	02.07→	RH-1	14'(350mm)
	Partner (B9)	05.08→	RH-1	14'(350mm)
	106 (S2)	10.99-05.05	RH-1	14'(350mm)
	206 (T1)	06.98-02.09	RH-1	14'(350mm)
	206+ (T3)	03.09→	RH-1	14'(350mm)
	208	01.12→	RH-1	14'(350mm)
	307 (T5,T6)	08.00-08.07	RH-1	14'(350mm)
	307 Break/SW (T5,T6)	03.02-05.08	RH-1	14'(350mm)
	807 (V2)	06.02→	RH-1	14'(350mm)
RENAULT	Megane II Grandtour	10.03-05.09	RH-1	10'(250mm)
	Modus (FP,JP)	06.04-05.05	RH-1	10'(250mm)
	06.04-05.05	05.03-04.09	RH-1	10'(250mm)
	Avantime (XEO)	09.01-12.03	RH-1	12'(300mm)
	Clio II (BB,CB,SB)	03.98-05.09	RH-1	12'(300mm)
	Clio II (Campus)	06.09→	RH-1	12'(300mm)
	Clio II (RS)	01.00-06.06	RH-1	12'(300mm)
	Clio III (BR/CR)	06.07→	RH-1	12'(300mm)
	Clio III Grandtour (KR)	08.07→	RH-1	12'(300mm)
	Clio	2012→	RH-11	10'(250mm)
	Duster (HS)	10.09→	RH-1	12'(300mm)
	Modus (FP,JP)	06.05→	RH-1	12'(300mm)
	Twingo II (CN; CN/GN)	04.07→	RH-1	12'(300mm)
	Scenic III (J95)	05.09→	RH-1	12'(300mm)
	Twingo I (CO,SO)		RH-1	12'(300mm)
	Clio III (BR/CR)	06.05-05.07	RH-1	14'(350mm)
Espace IV (JK; JK0)	11.02	RH-1	14'(350mm)	
Kangoo II (FW/KW)	01.08	RH-2	14'(350mm)	
Laguna II Grandtour (KG)	03.01-09.07	RH-1	14'(350mm)	
Laguna III Grandtour (KT)	07.07	RH-2	14'(350mm)	
Logan MCV (KS/FS)	01.07	RH-1	14'(350mm)	
Megane I Grandtour (X64)	11.01-09.03	RH-1	14'(350mm)	
Megane III Grandtour (KZ)	06.09	RH-1	14'(350mm)	
Megane III Coupé (DZ)	01.09	RH-2	14'(350mm)	
Megane III Hatchback	11.08	RH-2	14'(350mm)	
Scenic I (JA)	03.00-04.03	RH-1	14'(350mm)	
ROVER	75 Tourer	01.01-05.05	RH-2	14'(350mm)
SAAB	9-3 Kombi (9440)	03.05→	RH-2	12'(300mm)
	9-3 X	03.10→	RH-2	12'(300mm)
	9-5 Kombi	01.06→	RH-2	12'(300mm)
SEAT	Mii (KF1)	10.11→	RH-10	10'(250mm)
	Leon (1P1)	03.09→	RH-7	11'(280mm)
	Altea (5P1)	03.09→	RH-7	13'(325mm)
	Exeo ST (3R5)	06.09→	RH-7	13'(325mm)
	Ibiza Sportcoupé (6J1)	09.11→	RH-7	13'(325mm)
Ibiza ST (6J8)	09.11→	RH-7	13'(325mm)	
Alhambra (710)	07.10→	RH-10	13'(325mm)	
SKODA	Yeti (5L7)	05.09→	RH-10	11'(275mm)

Car Model / Date				
				
SKODA	C8 (V3)	06.02→	RH-1	14'(350mm)
	Fabia	2012-2014	RH-12	14'(350mm)
	Citigo	10.11→	RH-10	10'(250mm)
	Fabia (5J2)	12.06→	RH-7	13'(325mm)
	Praktik (5J7)	03.07→	RH-7	13'(325mm)
	Roomster (5J7)	03.06→	RH-7	13'(325mm)
	Fabia Combi (5J5)	12.06→	RH-7	16'(400mm)
	Octavia (1Z3)	05.04→	RH-7	16'(400mm)
	Octavia Combi (1Z5)	05.04→	RH-7	16'(400mm)
	Superb Combi (3T5)	03.08→	RH-10	16'(400mm)
SMART	Fortwo Coupé (450)	04.07→	RH-1	10'(250mm)
	Forfour (454)	01.04-06.07	RH-2	14'(350mm)
SUZUKI	Alto	-	RH-3	10'(250mm)
	Splash (EX)	01.08→	RH-3	10'(250mm)
	Swift Hatchback	11.04→	RH-3	10'(250mm)
	SX4 Hatchback	-	RH-3	10'(250mm)
Liana	-	RH-3	12'(300mm)	
SUBARU	Trezia	11.10→	RH-4	12'(300mm)
	XV	09.11→	RH-3	12'(300mm)
	Forester (5G)	06.05-11.07	RH-3	14'(350mm)
	Forester (SH, S12)	12.07→	RH-3	14'(350mm)
	Impreza / WRX / STI	10.07→	RH-3	14'(350mm)
	Legacy Kombi (BL/BP)	07.03-05.09	RH-3	14'(350mm)
	Legacy Kombi (BM/BR/B0)	06.09→	RH-3	14'(350mm)
	Legacy Outback (BL/BP)	07.03-05.09	RH-3	14'(350mm)
	Outback (BM/BR/BQ)	06.09→	RH-3	14'(350mm)
	Tribeca	-	RH-3	14'(350mm)
TOYOTA	Auris	10.06-10.12	RH-4	12'(300mm)
	Avensis Wagon	01.03→	RH-4	12'(300mm)
	E'Z		RH-4	12'(300mm)
	High Lander		RH-4	12'(300mm)
	Innova		RH-4	12'(300mm)
	Land Cruiser (J20)	09.07→	RH-4	12'(300mm)
	Land Cruiser Prado (J15)	09.09→	RH-4	12'(300mm)
	Previa		RH-4	12'(300mm)
	RAV 4(A2,A3)	05.00→	RH-4	12'(300mm)
	Verso (R2/R11)	02.09→	RH-4	12'(300mm)
	Verso S	11.10→	RH-4	12'(300mm)
	Wish		RH-4	12'(300mm)
	(P9,JD,P13)Yaris	08.05→	RH-4	12'(300mm)
	Yaris (P9, VNK)	11.05→	RH-2	12'(300mm)
	(French Version)	→	RH-2	12'(300mm)
	Aygo	02.05→	RH-1	12'(300mm)
Yaris (P1) (French Version)	01.01-08.06	RH-1	12'(300mm)	
Corolla (E12)	10.02-07.07	RH-3	14'(350mm)	
Previa 2000		RH-4	16'(400mm)	
Prius		RH-4	16'(400mm)	
Previa 2000	-	RH-1	16'(400mm)	
Prius	-	RH-1	16'(400mm)	
VOLKSWAGEN	Scirocco (137)	08.08→	RH-10	10'(250mm)
	Up! (121)	12.11→	RH-10	10'(250mm)
	Passat Alltrack (365)	01.12→	RH-7	11'(275mm)
	Passat Variant (3C5)	08.05-11.10	RH-7	11'(275mm)
Passat Variant (365)	08.10-11.11	RH-7	11'(275mm)	

Car Model / Date				
				
VOLKSWAGEN	Bora	2006-2007	RH-12	14'(350mm)
	Polo	2011→	RH-12	11'(275mm)
	Polo	2008→	RH-12	14'(350mm)
	Polo (9N3)	04.05-12.09	RH-7	11'(275mm)
	Polo (6R1)	06.09→	RH-10	11'(275mm)
	Golf VI (5K1)	10.08→	RH-10	11'(275mm)
	Golf Plus (5M1)	01.05-05.09	RH-7	13'(325mm)
	Golf V (1K1)	10.03-11.08	RH-7	13'(325mm)
	Golf V Variant (1K5)	05.07-07.09	RH-7	13'(325mm)
	Golf VI Variant (AJ5)	06.09→	RH-7	13'(325mm)
	Polo (9N1)	10.02-05.05	RH-7	13'(325mm)
	Polo (9N3)	04.05-12.09	RH-7	13'(325mm)
	Tiguan (5N1, 5N2)	11.07→	RH-7	13'(325mm)
	Touareg (7LA)	11.02-02.10	RH-7	13'(325mm)
	Golf Plus (521)	01.09→	RH-10	13'(325mm)
	Sharan (7N1)	05.10→	RH-10	13'(325mm)
Touran (1T3)	05.10→	RH-10	13'(325mm)	
Caddy (2K)	02.04→	RH-7	16'(400mm)	
Caddy Panel Van (2K)	06.04→	RH-7	16'(400mm)	
California T5	02.03→	RH-7	16'(400mm)	
Caravelle T5	02.03→	RH-7	16'(400mm)	
Multivan T5	02.03→	RH-7	16'(400mm)	
Touran (1T1, 1T2)	02.03-05.10	RH-7	16'(400mm)	
Transporter T5	02.03→	RH-7	16'(400mm)	
Gol		RH-9	16'(400mm)	
Gol	2006→	RH-9	16'(400mm)	
VAUXHALL	Astra Mk. IV Estate	04.98-08.04	RH-1	11'(275mm)
VOLVO	V40	2013→	RH-11	12'(300mm)
	V40 II	08.12→	RH-7	11'(275mm)
	V70	2008→	RH-11	14'(350mm)
	XC60	08.11→	RH-1	14'(350mm)
	XC90	08.11→	RH-1	14'(350mm)
XC90	2015→	RH-11	16'(400mm)	



  0086 13566631317
 Sales@ChinaWiperBlades.com

 [Novoflow](#)  [HiLomoDay](#)  [Lomo Day](#)
 www.ChinaWiperBlades.com